



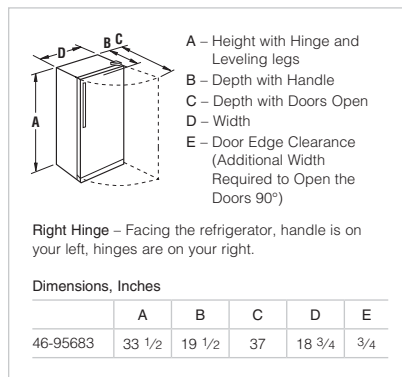
46-95683



Kenmore 3.1 cu. ft. 2 Door Compact Refrigerator

● Stainless 46-95683

- Frost-free
- Full-width, clear slide-out crisper
- 2 removable, adjustable wire refrigerator shelves
- 3 refrigerator door storage bins
- Tall item retainer
- Can storage
- Interior light
- Reversible door
- Adjustable temperature control
- 18 3/4" W x 33 1/2" H x 19 1/2" D



SELECTION	KENMORE
Stainless	46-95683
INTERIOR CAPACITIES	
Total Volume (cu. ft.)	3.1
Refrigerator / Frozen Food (cu. ft.)	2.2 / .9
Shelf Area (Sq. Ft.)	1.1
REFRIGERATION FEATURES	
Shelves	2 Adjustable Wire
Door Shelves	3
Can Storage	•
Tall Item Retainer	•
Crispers	1 Full-Width
Light(s)	•
GENERAL FEATURES	
Up-Front Temperature Controls	Adjustable
Defrost Type	Auto
Door Finish	Smooth
Reversible Doors	•
Condenser Type	Built-In
Smooth Back	•
Est. Energy Consumption	337 kWh / yr
Est. Yearly Operating Cost*	\$39.26
Volts / Amps	115 / 1.3
Item Weight (Approx. Lbs.)	57
Shipping Weight (Approx. Lbs.)	64
WARRANTY	
1-Year Limited Warranty – Entire Appliance	Parts & Labor

If used for other than private family purposes, warranty applies for only 90 days.
 *All energy \$ / Yr. figures are calculated at the national average cost of \$0.1065 / kWh. Energy rebates are offered and paid by the energy supplier in states where such programs exist. Criterion is based on percentage of energy efficiency attained beyond the 2007 standard. Dollar amounts may differ.